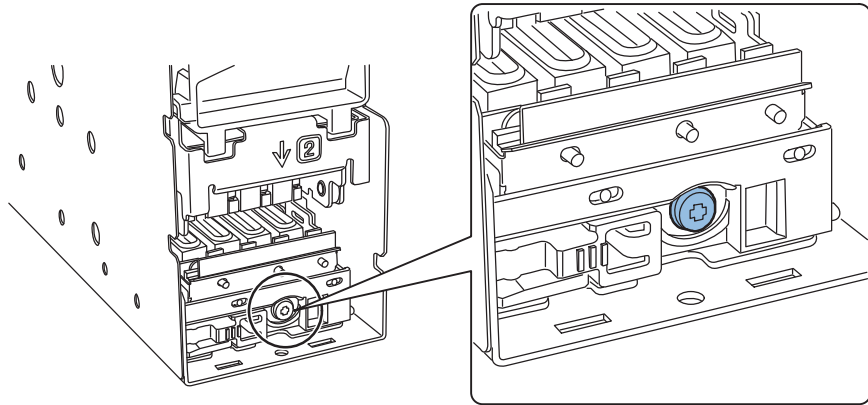


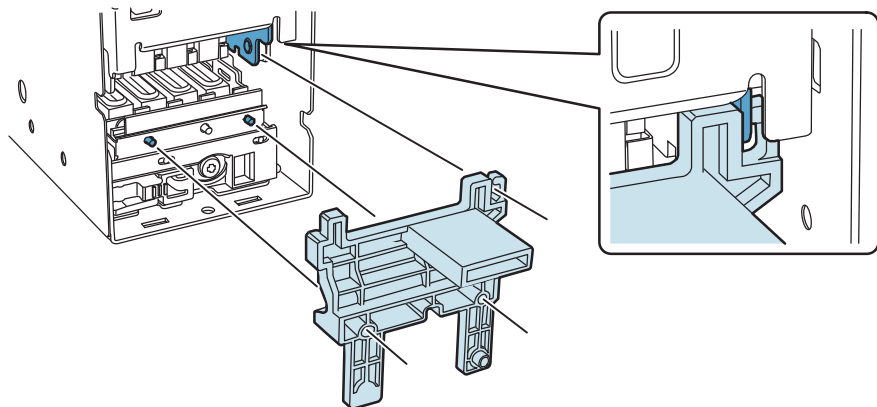
Blade Position Adjustment

This adjustment is required after the Purge Unit is replaced. Adjust the blade position using the blade position adjustment tool supplied with the replacement Purge Unit.

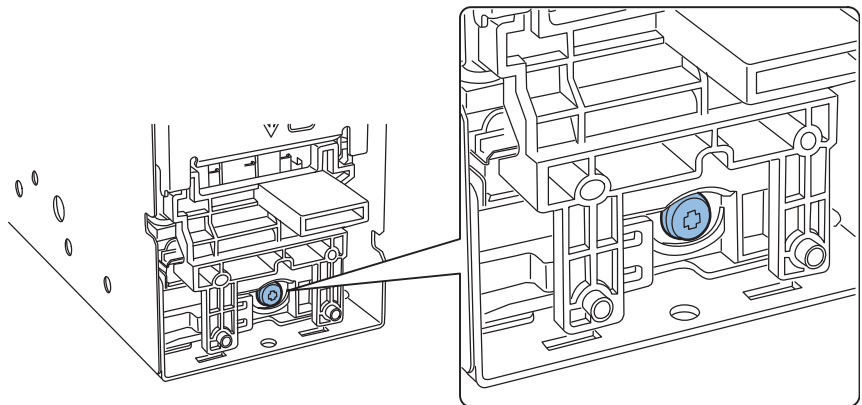
- 1 Loosen the screw.



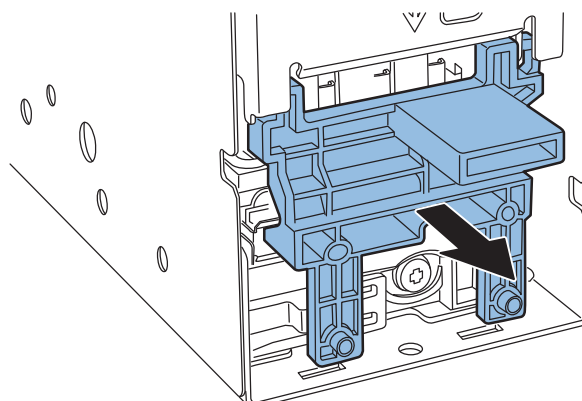
- 2 Set 2 key pins on holder of Blade with Blade position adjustment tool. Set the gap of Blade position adjustment tool to the Print Module side plate that is the registration position.



- 3 Tighten the screw to fix blade.



- 4 Remove Blade adjustment tool.



Error Codes

Error Code Overview

Error codes are classified into 3 groups.

Code Type	Description	See
Fatal Error	If Printer fails, Operation Panel [ERROR] Lamp flashes to signal the error state. Further, an error code consisting of 4 alphanumeric characters appears in Printer Driver Status Monitor or in Kiaro! Maintenance Utility.	See "Fatal Error" on page 178.
Error	If an Error occurs, Operation Panel [ERROR] Lamp lights and a message displays in Printer Driver Status Monitor. If Kiaro! Maintenance Utility is active, an error code consisting of 4 alphanumeric characters appears in Printer Status window, along with a description of the operator call.	See "Error" on page 206.
Warning	If Printer enters a warning state, a message appears in Printer Driver Status Monitor. If Kiaro! Maintenance Utility is active, an error code consisting of 4 alphanumeric characters appears in Printer Status window, along with a description of the warning.	See "Warnings" on page 215.